

SSR & SER

SLIM RELAYS, Electromagnetic and solid

SLIM RELAYS, ELECTROMAGNETIC AND SOLID



EVE-ETIREL

SLIM RELAYS SSR & SER, Electromagnetic and solid

Advantages:

- Width 6,2 mm;
- Interface relay SER1 - with 1 CO contact output;
- 35 mm rail mount acc. to PN-EN 60715;
- May be linked with interconnection strip type SR-TERMINAL;
- Equipped in LED green;



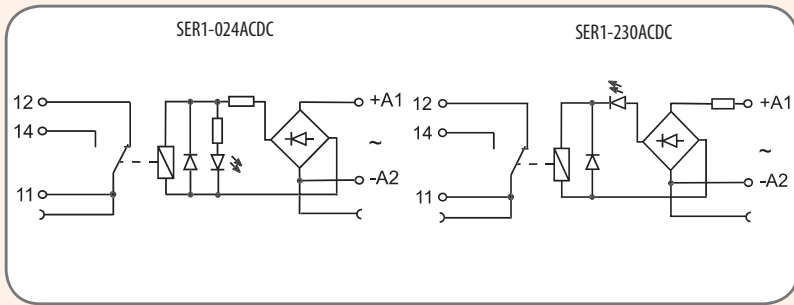
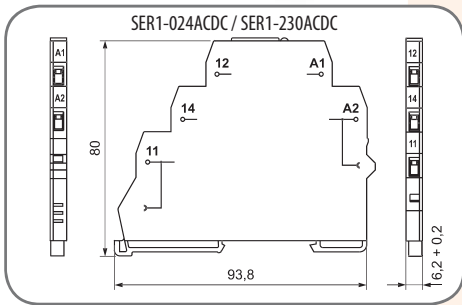
SER1-024ACDC

Mounting

Relays are designed for direct mounting on 35 mm rail mount acc. to PN-EN 60715. Connections: max. cross section of the cables: 1 x 2,5 mm² / 2 x 1,5 mm² (1 x 14 / 2 x 16 AWG), length of the cable deinsulation: 8 mm, max. tightening moment for the terminal: 0,3 Nm. Relays may be linked with interconnection strip type SR-TERMINAL bridges common input or output signals, maximum permissible current is 36 A / 250 V AC.

Electromagnetic relay

Type	Code No.	Uc [V], rated coil voltage	Contacts	In [A]	Weight [kg]	Packaging [pcs]
SER1-024ACDC	002473052	24 V AC/DC	1xCO	AC1: 6 A / 250 V	0,04	10/100
SER1-230ACDC	002473053	230 V AC/DC		DC1: 6A/24V; 0,15A/250V		

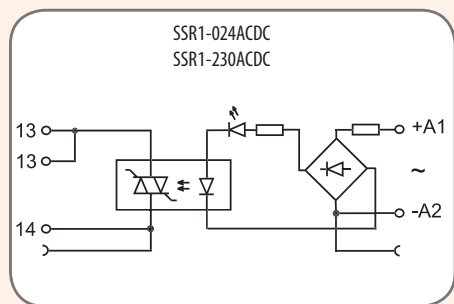
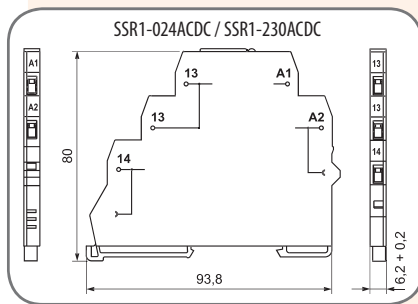


Solid state relay (triac output)

Type	Code No.	Uc [V], rated coil voltage	Contacts	In [A]	Weight [kg]	Packaging [pcs]
SSR1-024ACDC	002473050	24 V AC/DC	1xNO	AC1: 1,2 A/400V	0,04	10/100
SSR1-230ACDC	002473051	230 V AC/DC				



SSR1-024ACDC



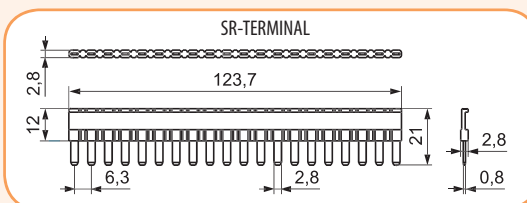
Accessories (SR-TERMINAL)

Type	Code No.	Color	Description	Weight [kg]	Packaging [pcs]
SR-TERMINAL	002473054	black	max 36A (250VAC) or Max permissible current	0,0123	10/100

Bridging of common input or output signals, up to 20 relays, breakable (no cutting tools).



SR-TERMINAL



SR-TERMINAL: bridging of common input or output signals

Technical data	SER1	SSR1
	Contact data	Output circuit - Triac
Number and type of contacts / outputs	1 CO	1 NO
Contact material	AgSnO ₂	-
Rated / Max. switching voltage	400 V AC / 250 V DC	400 V AC / 440 V AC
Min. switching voltage	10 V AC / DC	20 V AC
Rated load AC1 DC1	6 A / 250 V AC 6 A / 24 V DC; 0,15 A / 250 V DC	1,2 A / 400 V AC -
Min. switching current	100 mA	10 mA
Max. inrush current / Max. non-repeat surge current	10 A (t=20 ms)	30 A (t=20 ms)
Rated current	6 A	1,2 A
Max. breaking capacity AC1	1 500 VA	-
Min. breaking capacity	1 W	-
Contact resistance	≤ 100 mΩ 100 mA, 24 V	-
Max. operating frequency • at rated load (AC1) • no load	360 cycles/hour 72 000 cycles/hour	-
I ² t for fusing	-	5,1 A ² s (t=1-10 ms)
di/dt	-	50 A/μs
dV/dt	-	40 V/μs
	Input circuit	
Rated voltage AC: 50/60 Hz AC/DC	24 V; 230 V	24 V; 230 V
Must release voltage / Turn-off voltage	AC: ≥ 0,2 Un DC: ≥ 0,1 Un	AC: ≥ 0,2 Un DC: ≥ 0,1 Un
Must operate voltage	AC and DC: ≤ 0,8 Un	-
Rated power consumption AC/DC AC/DC	0,3 ... 1,6 VA / 0,3 ... 1,6 W -	0,3 VA / 0,3 W 24 V AC/DC 1,6 VA / 1,6 W 230 V AC/DC
	Insulation according to PN-EN 60664-1	
Insulation rated voltage	400 V AC	600 V AC
Rated surge voltage	4 000 V 1,2 / 50 μs	-
Overvoltage category	III	-
Insulation pollution degree	3	2
Dielectric strength • input - output • input - output • mass - input, output • contact clearance	4 000 V AC 50/60 Hz, 1 min., (type of insulation: reinforced) 6 000 V 1,2 / 50 μs 2 500 V AC 50/60 Hz, 1 min. 1 000 V AC 50/60 Hz, 1 min., (type of clearance: micro-disconnection)	4 000 V AC 50/60 Hz, 1 min., (type of insulation: reinforced) - - -
Input - output distance • clearance / creepage	≥ 6 mm / ≥ 8 mm	-
	General data	
Operating time (typical value)	AC: 7 ms DC: 6 ms	10 ms max. (zero turn-on)
Release time (typical value)	AC: 15 ms DC: 10 ms	10 ms max.
Electrical life • resistive AC1 (cos φ = 0,4) • resistive DC1	> 0,6 x 10 ⁵ 6 A, 250 V AC; > 2 x 10 ⁵ 2 A, 250 V AC 10 ⁵ 6 A, 30 V DC	-
Mechanical life (cycles)	> 2 x 10 ⁷	-
Dimensions (L x W x H)	93,8 x 6,2 x 80 mm	93,8 x 6,2 x 80 mm
Weight	40 g	40 g
Ambient temperature • storage • operating	-40...+70 °C -40...+55 °C (-40...+60 °C 24 V DC)	-40...+70 °C -40...+55 °C
Protection category	IP 20 PN-EN 60529	IP 20 PN-EN 60529
Environmental protection	RTI PN-EN 116000-3	RTI PN-EN 116000-3
Shock / vibration resistance	10 g / 5 g 10...500 Hz	10 g / 5 g 10...500 Hz

Input data SER1

Interface relay code	Rated input voltage, Un	Power of input circuit	Input - voltage range, V	
			min. (at 20 °C)	max. (at 55 °C)
SER1-024ACDC	24 V AC/DC	0,5 VA / 0,5 W	19,2	26,4
SER1-230ACDC	230 V AC/DC	0,8 VA / 0,8 W	184,0	253,0

Input data SSR1

Interface relay code	Rated input voltage Un	Power of input circuit
SSR1-024ACDC	24 V AC/DC	0,3 VA / 0,3 W
SSR1-230ACDC	230 V AC/DC	1,6 VA / 1,6 W

